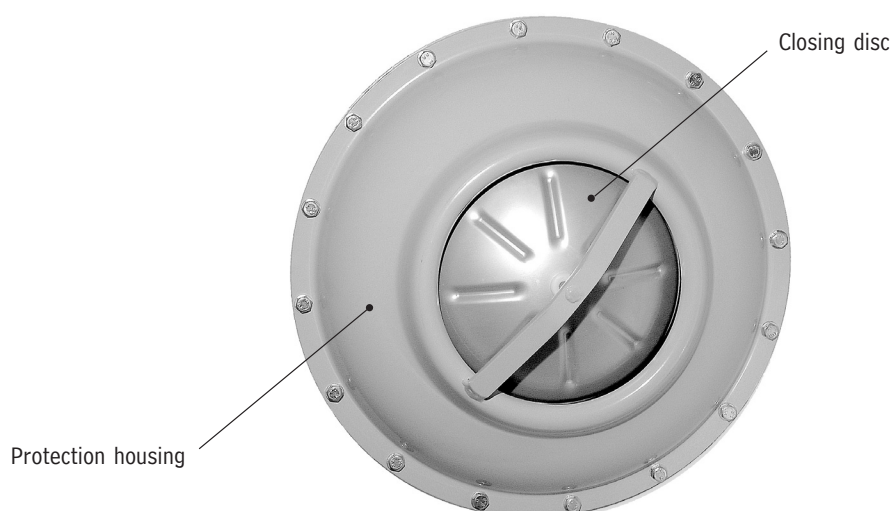




Overpressure Blast Valve

Type A 803



Usage

- Has to be installed inside the shelter, in a vertical position to ensure proper operation
- Has to be installed on an 8" flange according to BS 4504 - PN 6 or DIN 2501 - PN 6

Overview

The Overpressure Blast Valve Type **A 803** is a valve used to stop explosive blast waves from entering a bomb shelter as well as to regulate the air pressure in the shelter. The valve is tested and certified for compliance to the applicable Singaporean and Swiss Standards.

Description

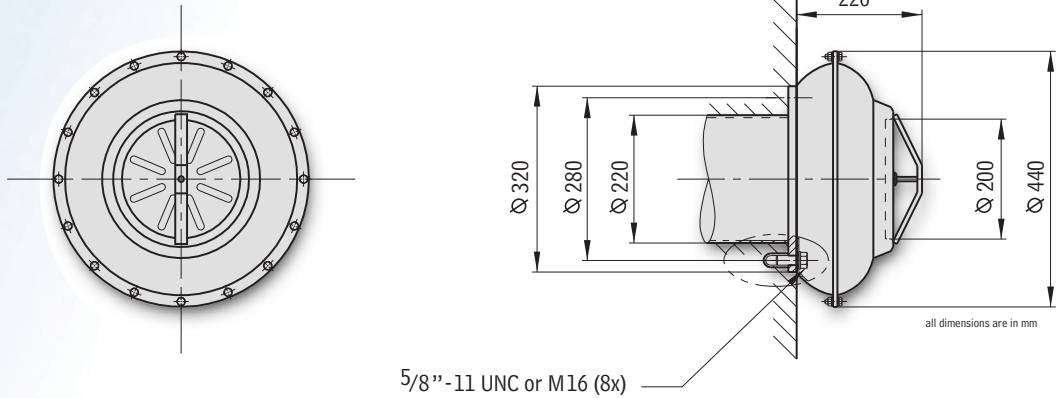
The Overpressure Blast Valve Type **A 803** is designed to release air from the shelter while maintaining a constant overpressure and also to protect against explosive and implosive blast waves. The valve is normally closed. It is maintenance-free and withstands heat and corrosion. The springs are manufactured from special stainless steel and all steel parts are phosphate treated and finished with a powder coating.



Collective Protection Inc.

4641 Montgomery Ave.
Suite 200, Bethesda
MD 20814, USA

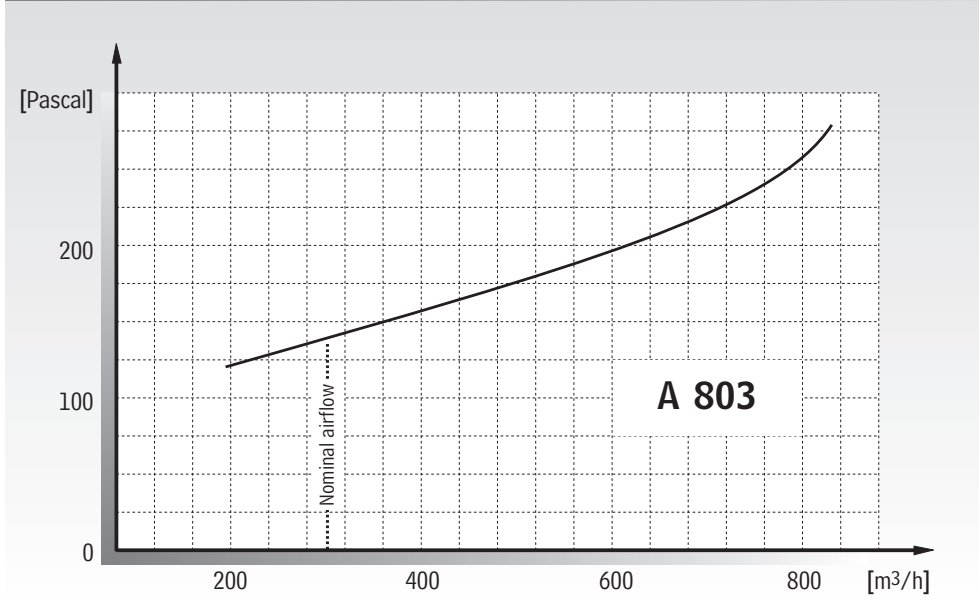
Tel.: +1 (443) 709-0575
Fax: +1 (443) 709-0578



Certifications:

- Quality Control according to ISO 9001
- Quality Assurance AQAP 2110

Pressure Drop on Airflow A 803:



Specifications A 803:

Product no.:	B10600	
Airflow rate:	200-800 (115-470)	m ³ /h (cfm)
Flow resistance:	see diagram	
Incident pressure durability:	300 (42)	kPa (psi)
Reflected pressure durability:	1100 (154)	kPa (psi)
Working temperature:	+5 to +70 (+40 to +160)	°C (°F)
Mechanical shock resistance:	20	g

0149 Specifications are subject to change without prior notice



Collective Protection Inc.
4641 Montgomery Ave.
Suite 200, Bethesda
MD 20814, USA
Tel.: +1 (443) 709-0575
Fax: +1 (443) 709-0578