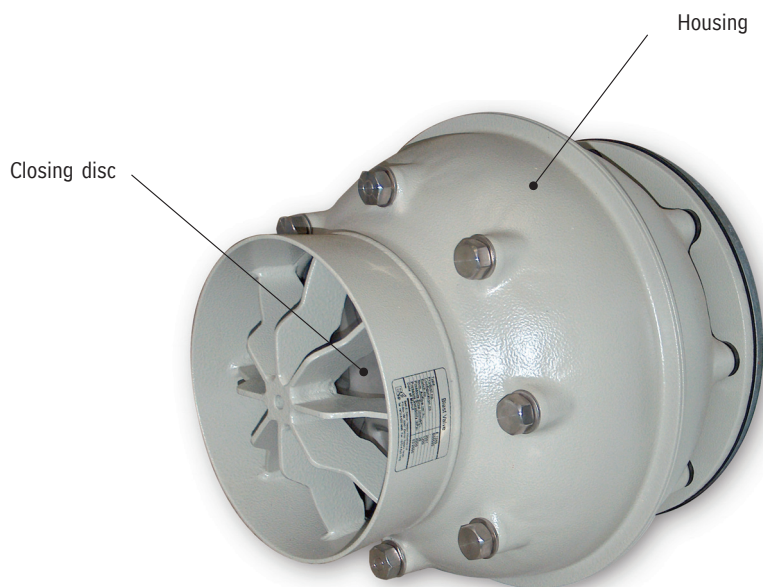




Blast Valve

Type E 1210



Usage

- Has to be installed at the air intake inside the shelter.
- Has to be installed on an 8" flange according to BS 4504 - PN 6 or DIN 2501 - PN 6

Overview

The Blast Valve Type **E 1210** is a heavy duty valve which protects the interior of a shelter from blast waves caused by outside explosions. The valve is normally open. It withstands blast waves of 15 bar (210 psi) reflected pressure. The valve is tested and certified for compliance to the applicable Singaporean and Swiss Standards.

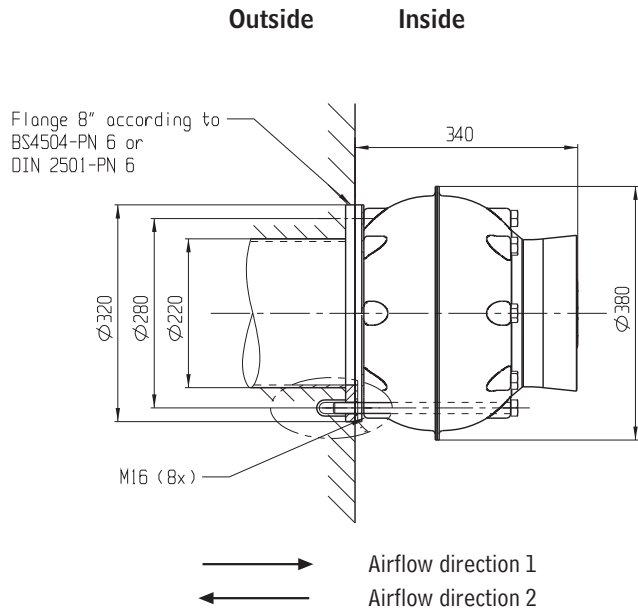
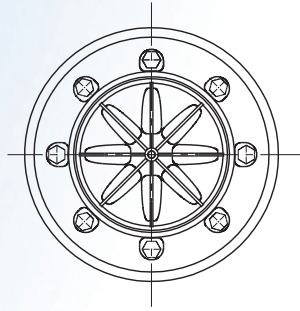
Description

The Blast Valve Type **E 1210** is a double-action valve (protects against explosive and implosive waves). It is maintenance-free and resistant against high temperatures and corrosion. The springs are manufactured from special stainless steel and all steel parts are phosphate treated and finished with a powder coating.



Collective Protection Inc.

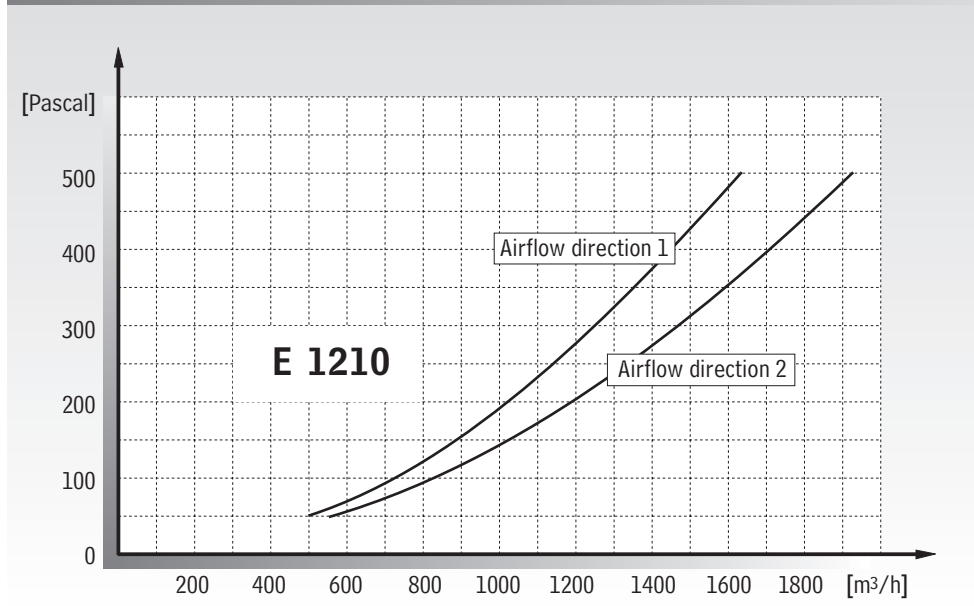
4641 Montgomery Ave.
Suite 200, Bethesda
MD 20814, USA
Tel.: +1 (443) 709-0575
Fax: +1 (443) 709-0578



Certifications:

- Tested and certified for compliance to the applicable Singaporean and Swiss Standards.
- Quality Control according to ISO 9001
- Quality Assurance AQAP 2110

Pressure Drop on Airflow E 1210:



Specifications E 1210:

Product no.:	B00679	
Airflow rate:	400-2000 (295-1183)	m³/h (cfm)
Flow resistance:	see diagram	
Incident pressure durability:	300 (42)	kPa (psi)
Reflected pressure durability:	1100 (154)	kPa (psi)
Working temperature:	-25 to +70 (-13 to +160)	°C (°F)
Mechanical shock resistance:	60	g
Installation matrix	≥ 380 x 380	mm

0291 Specifications are subject to change without prior notice



Collective Protection Inc.
 4641 Montgomery Ave.
 Suite 200, Bethesda
 MD 20814, USA
 Tel.: +1 (443) 709-0575
 Fax: +1 (443) 709-0578