



NBC Filtration System

Type FAH 100/50

Features:

- NBC-Protection for 8 persons
- Applications in small shelters as in control centers and homes



Rainbow 36

FAH 100/50
FAH 180/90

FAH 480/180
FAH 800/300

FA 1600/600

FAH 1600/600



Collective Protection Inc.

4641 Montgomery Ave.
Suite 200, Bethesda
MD 20814, USA

Tel.: +1 (443) 709-0575
Fax: +1 (443) 709-0578



Certifications:

- Approved by the Civil Defence Command
- CE - Hallmarks for Electrical Safety and EMI compliance
- Quality Control according to ISO 9001 and AQAP 2110

Description Type FAH 100/50:

The Ventilation and NBC-Filtration System Type **FAH 100/50** is a collective filtration system intended for the protection of up to 8 persons in airtight shelters and compartments. The system provides 100 m³/h (60 cfm) fresh air in the case of conventional warfare, or 50 m³/h (30 cfm) filtered air in the case of NBC (Nuclear/ Biological/ Chemical) warfare.

The system creates overpressure inside the protected area providing a safe and comfortable environment without the need for gas masks or protective clothing. The system is operated by normal electric power and with manual backup in case of power failure.

Specifications FAH 100/50:

Product no.:	B91101	
--------------	--------	--

A Blast Valve with pre-filter ESVF 103:

Product no.:	B02240		
Pressure durability:	300 (42)	kPa (psi)	
Pressure drop:	Ventilation mode Filtration mode	110 (0.43) 35 (0.13)	Pa (inch WC) Pa (inch WC)

B NBC-Filter HF 50 C:

Product no.:	B31150	
Airflow rate:	50 (30)	m ³ /h (cfm)
Pressure drop:	400 (1.6)	Pa (inch WC)
Weight of active carbon:	7.6 (17)	kg (lbs)
Total weight:	24 (53)	kg (lbs)
Separation efficiency with particle size of 0.3 micron:	99.995	%

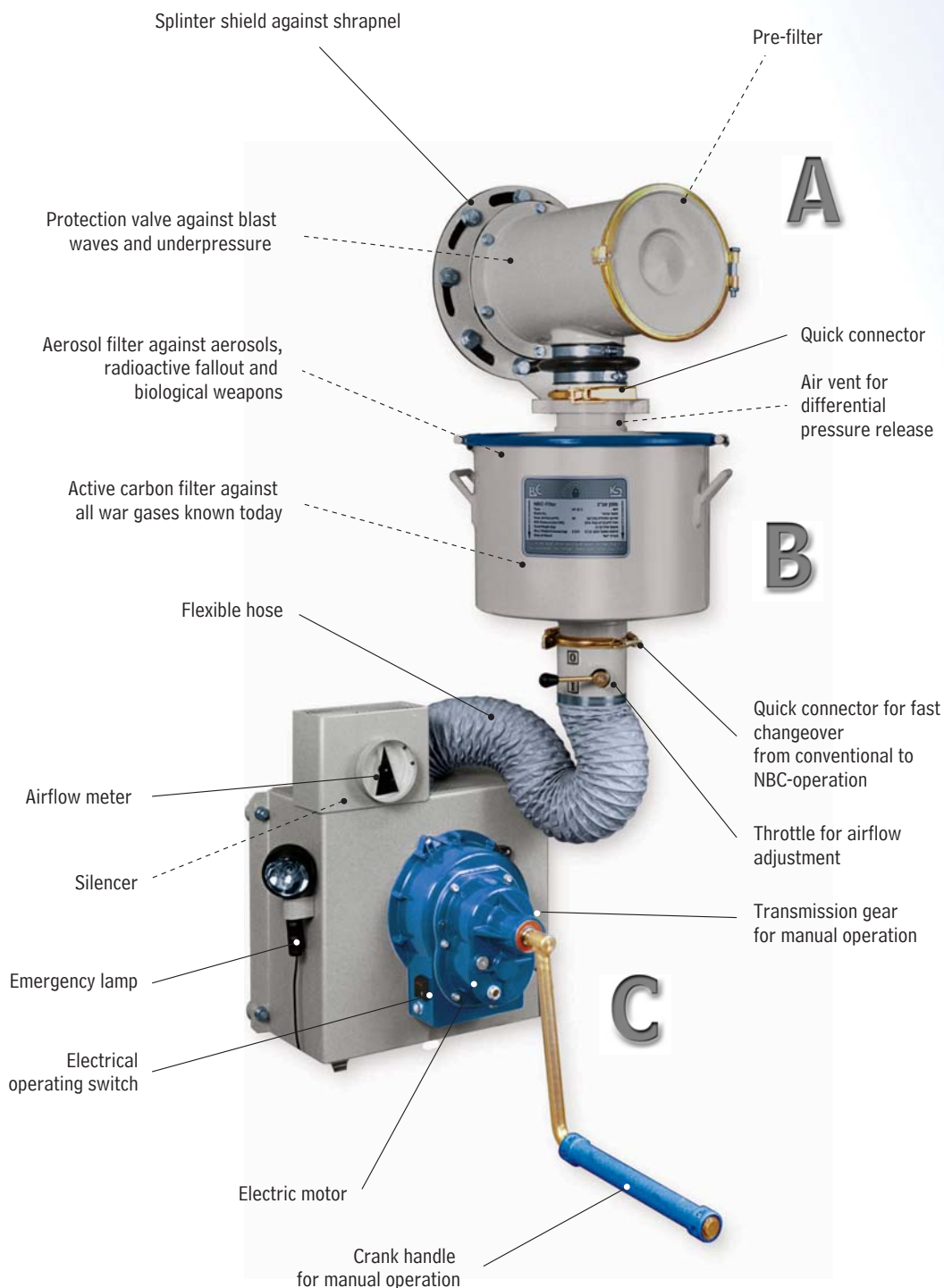
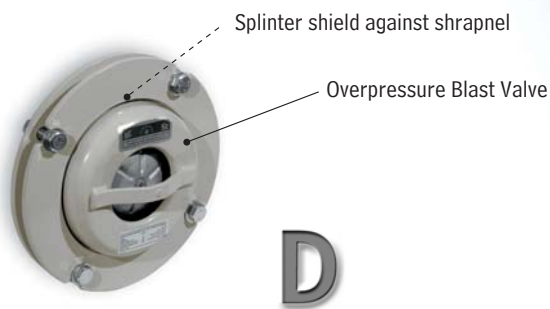
C Blower LH 100/50:

Product no.:	B21201		
Airflow:	Ventilation mode Filtration mode	100 (60) 50 (30)	m ³ /h (cfm) m ³ /h (cfm)
Air pressure:	Ventilation mode Filtration mode	1400 (5.5) 1410 (5.6)	Pa (inch WC) Pa (inch WC)
Electric motor:	Voltage (single phase) Current	230 1.3	Volt Ampere
Manual operation:	1	Person	
Noise level:	68.5	dB(A)	

D Overpressure Blast Valve A 103:

Product no.:	B15240		
Pressure durability:	300 (42)	kPa (psi)	
Pressure drop:	Ventilation mode Filtration mode	180 (0.7) 140 (0.6)	Pa (inch WC) Pa (inch WC)

Specifications are subject to change without prior notice



SYSTEM FEATURES

- Additional performance capabilities for use in subtropical and tropical environment
- Manual backup in case of external power failure



Collective Protection Inc.

4641 Montgomery Ave.
Suite 200, Bethesda
MD 20814, USA

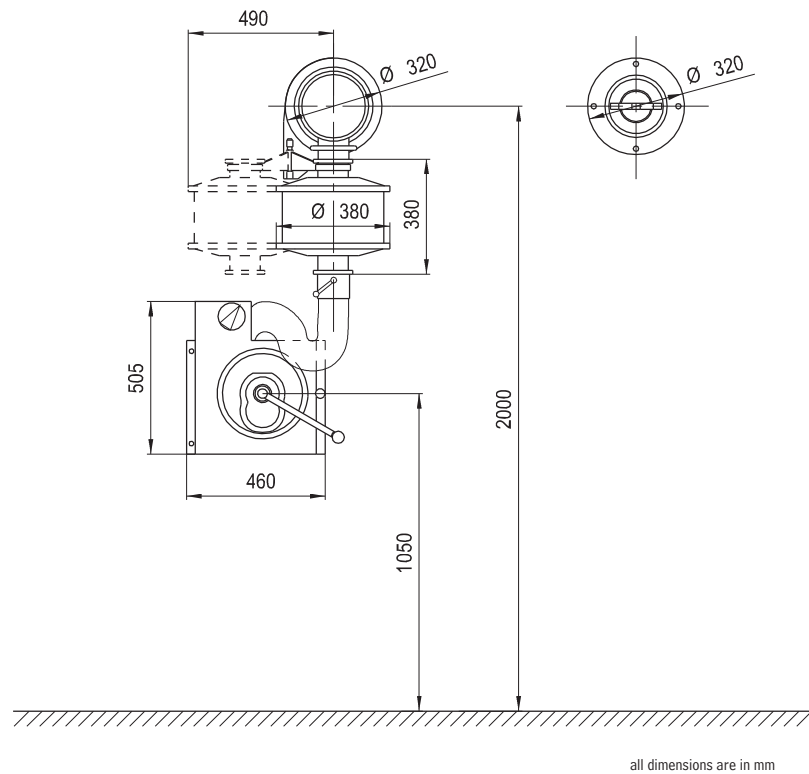
Tel.: +1 (443) 709-0575
Fax: +1 (443) 709-0578

Installation Requirements:

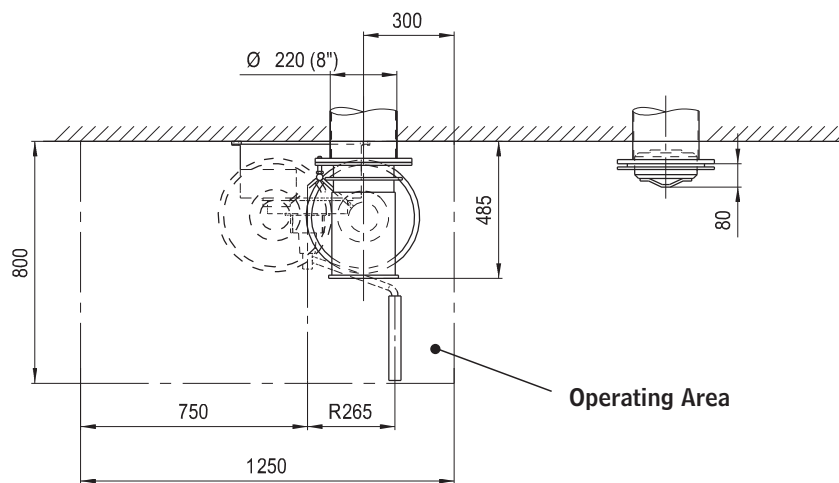
1. Standard air tight shelter/ compartment
2. Air inlet:
8" flange according to BS 4504 - PN 6 or DIN 2501 - PN6 in an outer wall.

Center line:
1.90-2.10 m
(75-85 inches)
above the floor.

3. Air outlet:
8" flange according to BS 4504 - PN 6 or DIN 2501 - PN6, located preferably opposite the air inlet.



all dimensions are in mm



Specifications are subject to change without prior notice

