



NBC Filtration System

Type FAH 1600/600

Features:

- NBC-Protection for 100 persons
- For large, collective shelters as in hospitals, hotels, skyscrapers etc.



Rainbow 36

FAH 100/50
FAH 180/90

FAH 480/180
FAH 800/300

FA 1600/600

FAH 1600/600



Collective Protection Inc.

4641 Montgomery Ave.
Suite 200, Bethesda
MD 20814, USA

Tel.: +1 (443) 709-0575
Fax: +1 (443) 709-0578



Certifications:

- Approved by the Civil Defence Command
- CE - Hallmarks for Electrical Safety and EMI compliance
- Quality Control according to ISO 9001 and AQAP 2110

Description Type FAH 1600/600:

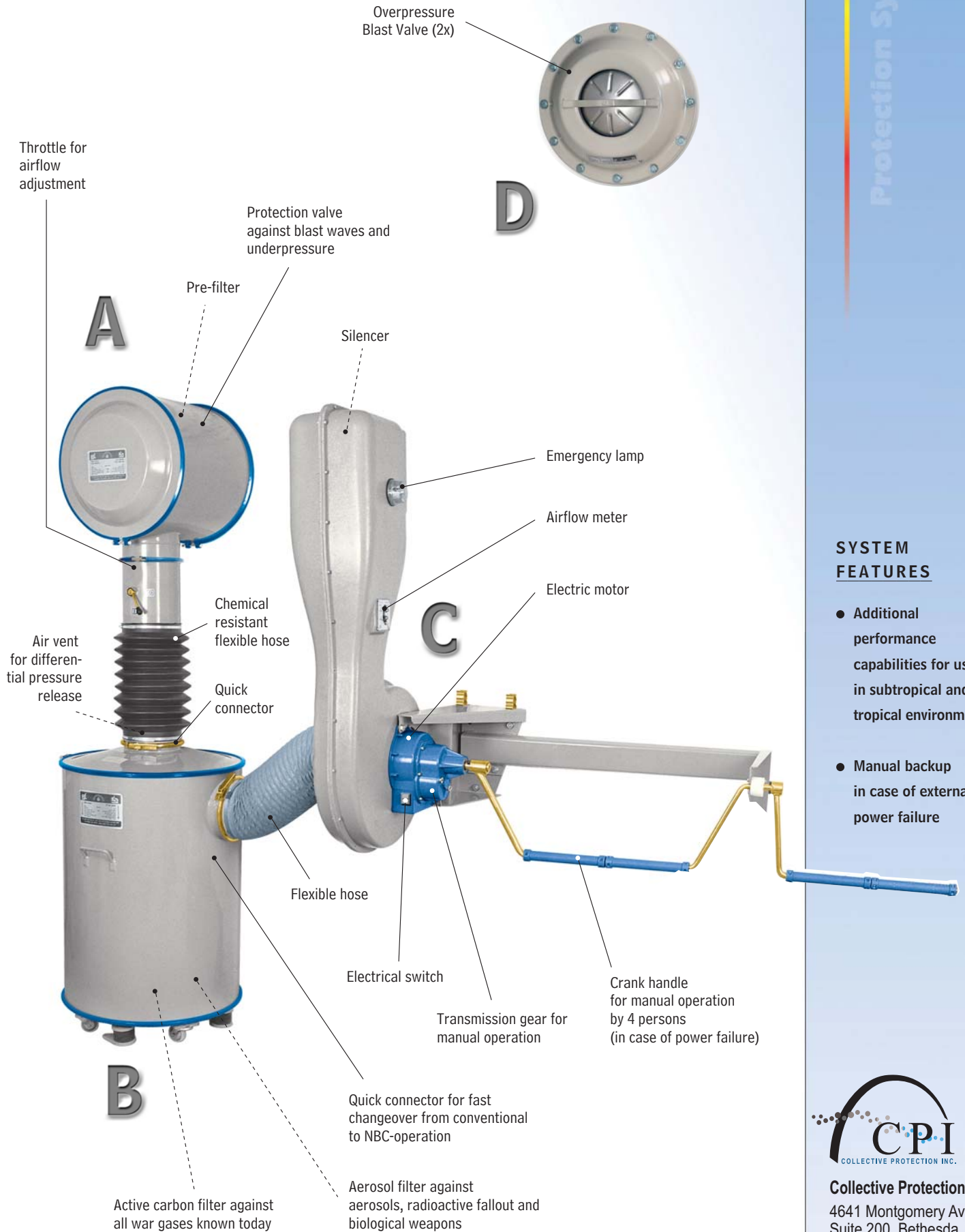
The Ventilation and NBC-Filtration System Type **FAH 1600/600** is a collective filtration system intended for the protection of up to 100 persons in airtight shelters and compartments. The system provides 1600 m³/h (940 cfm) fresh air in the case of conventional warfare, or 600 m³/h (350 cfm) filtered air in the case of NBC (Nuclear/ Biological/ Chemical) warfare.

The system creates overpressure inside the protected area providing a safe and comfortable environment without the need for gas masks or protective clothing. The system is operated by normal electric power and with manual backup in case of power failure.

Specifications FAH 1600/600:

Product no.:	B91301		
A Blast Valve with pre-filter ESVF 1603:			
Product no.:	B02720		
Pressure durability:	300 (42)		kPa (psi)
Pressure drop:	Ventilation mode	430 (1.7)	Pa (inch WC)
	Filtration mode	75 (0.3)	Pa (inch WC)
B NBC-Filter HF 600 C:			
Product no.:	B31400		
Airflow rate:	600 (350)		m ³ /h (cfm)
Pressure drop:	580 (2.3)		Pa (inch WC)
Weight of active carbon:	83 (183)		kg (lbs)
Total weight:	176 (388)		kg (lbs)
Separation efficiency with particle size of 0.3 micron:	99.995		%
C Blower LH 1600/600:			
Product no.:	B21641		
Airflow:	Ventilation mode	1600 (940)	m ³ /h (cfm)
	Filtration mode	600 (350)	m ³ /h (cfm)
Air pressure:	Ventilation mode	860 (3.4)	Pa (inch WC)
	Filtration mode	1570 (6.2)	Pa (inch WC)
Electric motor:	Voltage (single phase)	230	Volt
	Current	4.0	Ampere
Manual operation:	4		Person
Noise level:	68.7		dB(A)
D Overpressure Blast Valve A 803 (2x):			
Product no.:	B10600		
Pressure durability:	300 (42)		kPa (psi)
Pressure drop:	Ventilation mode	270 (1.1)	Pa (inch WC)
	Filtration mode	140 (0.6)	Pa (inch WC)

Specifications are subject to change without prior notice



SYSTEM FEATURES

- Additional performance capabilities for use in subtropical and tropical environment
- Manual backup in case of external power failure



Collective Protection Inc.

4641 Montgomery Ave.
Suite 200, Bethesda
MD 20814, USA

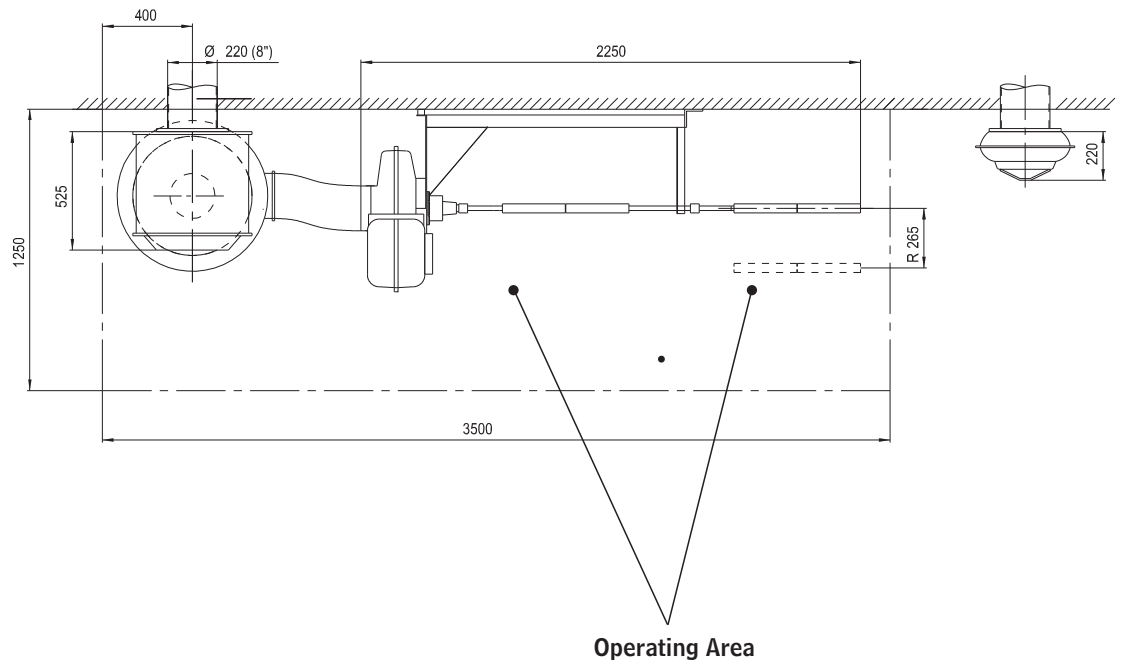
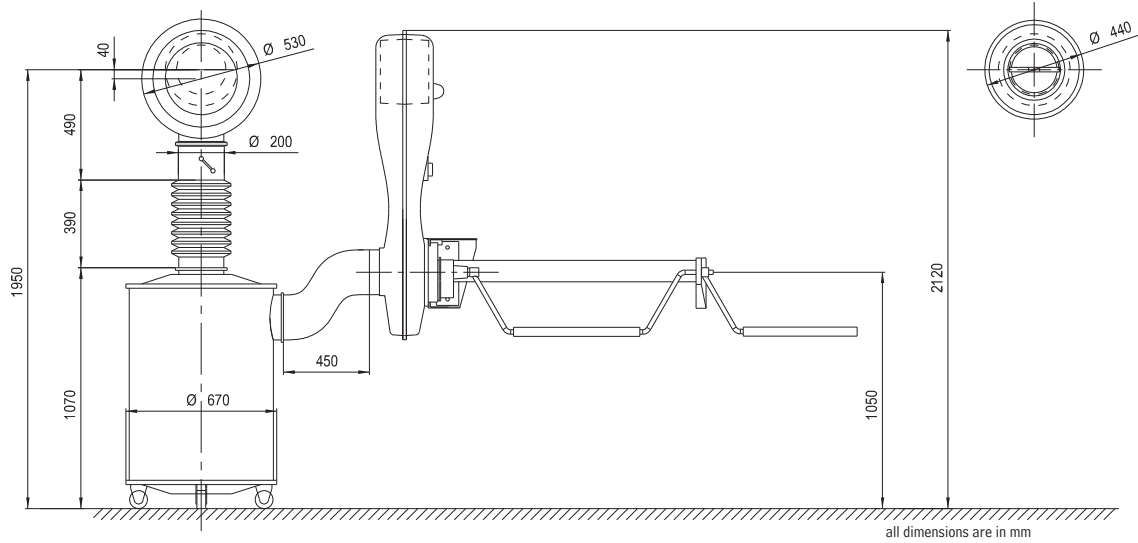
Tel.: +1 (443) 709-0575
Fax: +1 (443) 709-0578

Installation Requirements:

1. Standard air tight shelter/ compartment
2. Air inlet:
8" flange according to BS 4504 - PN 6 or DIN 2501 - PN 6 in an outer wall.

Center line:
1.90-2.10 m
(75-85 inches)
above the floor.

3. Air outlet:
8" flange according to BS 4504 - PN 6 or DIN 2501 - PN 6, located preferably opposite the air inlet.



Specifications are subject to change without prior notice