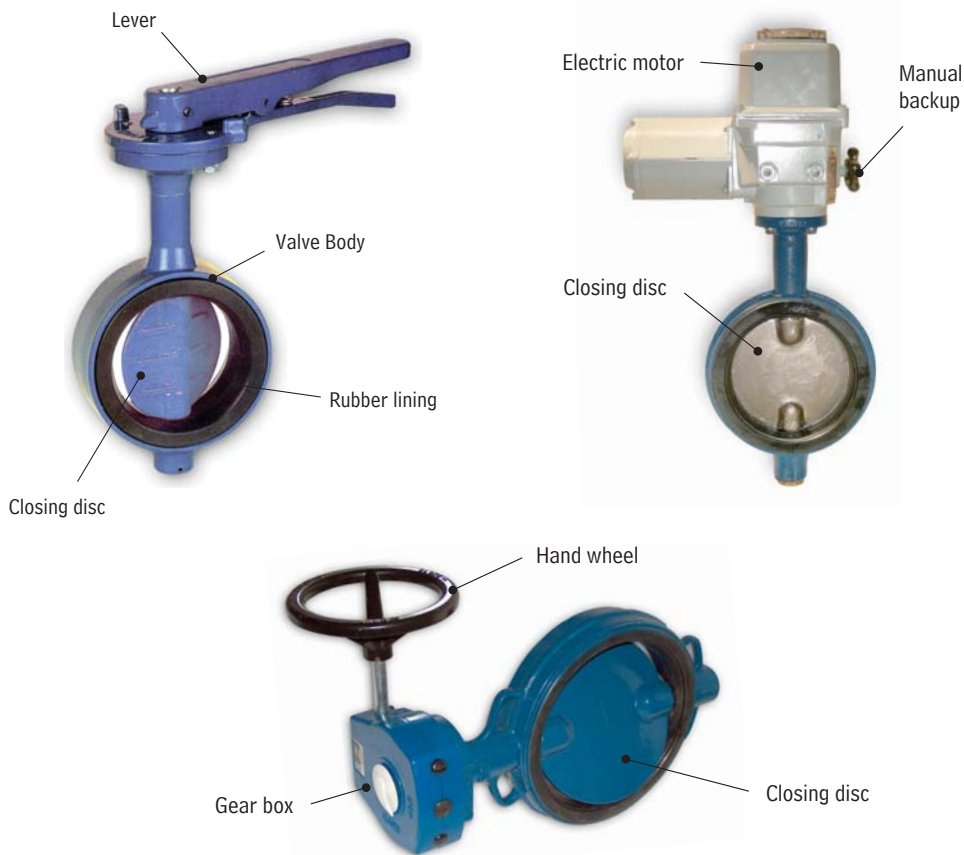




Gas-tight Shut-off Valve PPV 80 I - PPV 400 I



Usage

- Has to be installed in Systems, supplying air, water etc.
- Variety of sizes and materials available

Overview

Gas-tight Shut-off Valves Type **PPV 80 I - PPV 400 I** are heavy duty valves, used to adjust or to shut off the flow of air or water etc. in pipes and ducts. The Gas-tight Shut-off Valve is a wafer type Valve and suitable to fit easily between flanges.

Description

Gas-tight Shut-off Valves Type **PPV 80 I - PPV 400 I** are manufactured in a compact design, in order to combine easy handling and blast resistance up to 11 bar. The vulcanized rubber lining guarantees full tightness of the closing disc. Tested for compliance to the applicable Singaporean Standards.



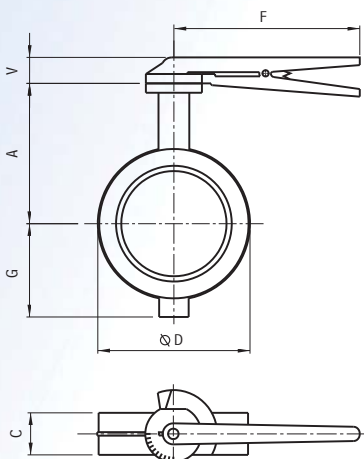
Collective Protection Inc.

4641 Montgomery Ave.
Suite 200, Bethesda
MD 20814, USA

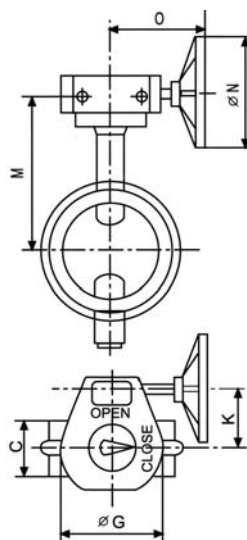
Tel.: +1 (443) 709-0575
Fax: +1 (443) 709-0578



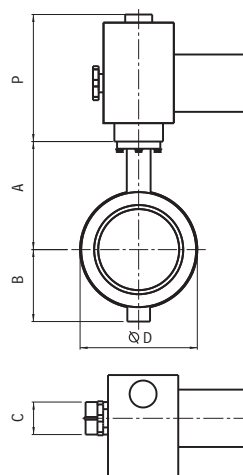
Lever operated



Gear operated
(with hand wheel)



Electric operated
(with motor)



Certifications:

- Tested and certified for compliance to the applicable Singaporean Standards.
- Quality Control according to ISO 9001
- Quality Assurance AQAP 2110

Nominal diameter		Dimensions, mm												Weight, kg		
														Order code		
mm	inch	A	B	C	D	F	G	K	M	N	O	V	P	L	G	E
80	3	158	89	46	142	265	120	47	186	135	144	37	*	2.5	4	*
100	4	168	100	52	160	265	120	47	197	135	144	37	*	3	4.5	*
125	5	179	127	56	191	265	120	47	209	135	144	37	270	4.7	6.0	12
150	6	200	133	56	217	265	170	80	229	215	230	37	270	8.6	11	16
200	8	241	158	60	275	354	170	80	269	215	230	35	270	14.8	17	22
250	10	280	210	68	330	440	170	80	315	215	230	55	270	27	31	36
300	12	306	247	78	380	*	170	80	341	215	230	*	270	35	38	43
350	14	312	268	78	437	*	200	100	375	440	293	*	270	56	58	70
400	16	360	308	102	488	*	200	100	405	440	293	*	270	77	79	90

Ordering Guide: Gas-tight Shut-off Valve, heavy duty, Iron

Order Code: PPV (1) - (2) - (3)
 Example: PPV 150 - I - L

Nominal Diameter	(1)	Material	(2)	Actuator	(3)
Ø 80	80	Body: Ductile iron	I	Lever operated	L
↓	↓	Disc: Ductile iron Optional: Stainless steel		Gear operated	G
Ø 400	400	Seat: EPDM		Electric operated	E



Collective Protection Inc.
 4641 Montgomery Ave.
 Suite 200, Bethesda
 MD 20814, USA
 Tel.: +1 (443) 709-0575
 Fax: +1 (443) 709-0578