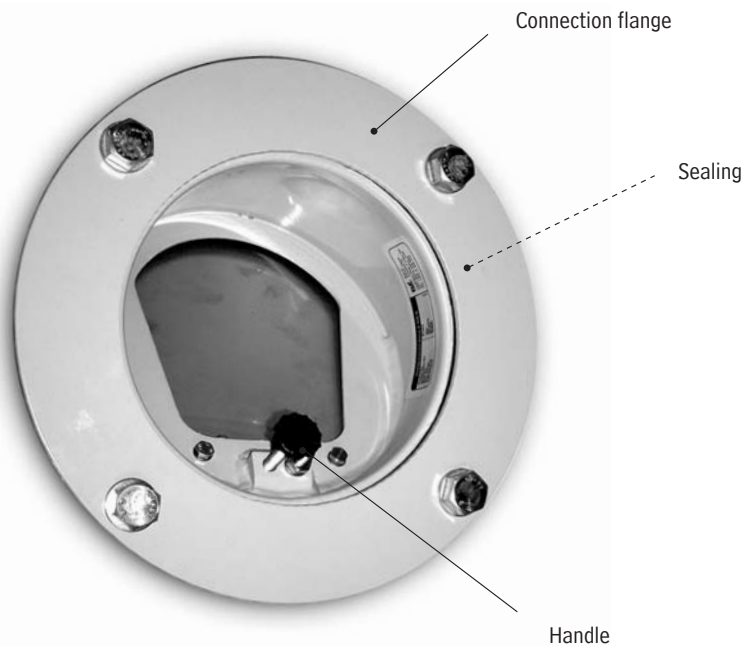




Overpressure Valve Type Z 500 D



Usage

- Has to be installed between the mainshelter and decontamination area/sanitary rooms.
- Has to be installed on an 8" flange according to BS 4504 - PN 6 or DIN 2501 - PN 6

Overview

The Overpressure Valve Type **Z 500 D** is designed to regulate the differential pressure between the different areas inside the shelter. The valve is normally closed. It conforms to the Singaporean and Swiss standards.

Description

The Overpressure Valve Type **Z 500 D** is maintenance - free, temperature and corrosion resistant. The differential pressure between rooms may be adjusted to the required value. The valve must be installed only inside the protected area.



Collective Protection Inc.

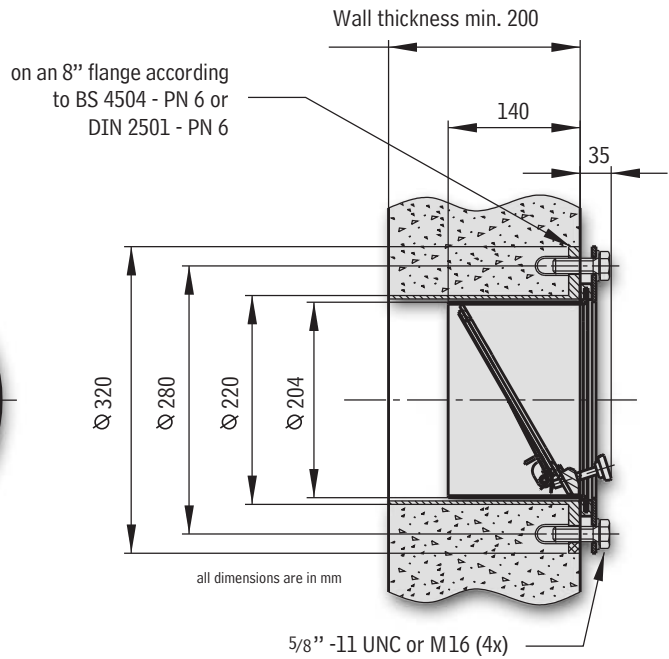
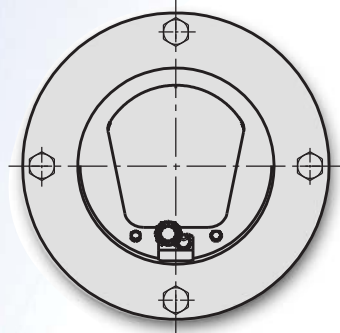
4641 Montgomery Ave.
Suite 200, Bethesda
MD 20814, USA

Tel.: +1 (443) 709-0575
Fax: +1 (443) 709-0578

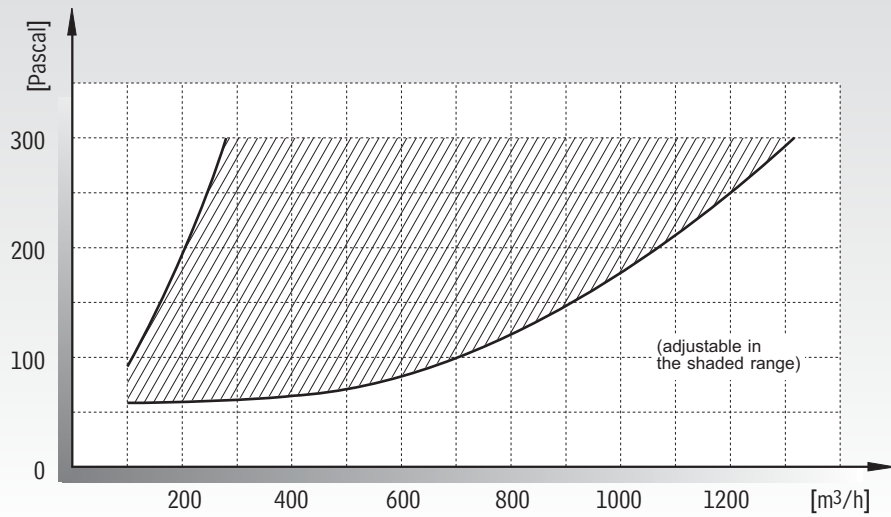


Certifications:

- Quality Control according to ISO 9001
- Quality Assurance AQAP 2110



Pressure Drop on Airflow Z 500 D:



Specifications are subject to change without prior notice

Specifications Z 500 D:

Product no.:	B11473	
Airflow rate:	0-1000 (0-578)	m ³ /h (cfm)
Flow resistance:	see diagram	
Working temperature:	-5 to +70 (+20 to +160)	°C (°F)
Mechanical shock resistance:	20	g



Collective Protection Inc.
 4641 Montgomery Ave.
 Suite 200, Bethesda
 MD 20814, USA
 Tel.: +1 (443) 709-0575
 Fax: +1 (443) 709-0578